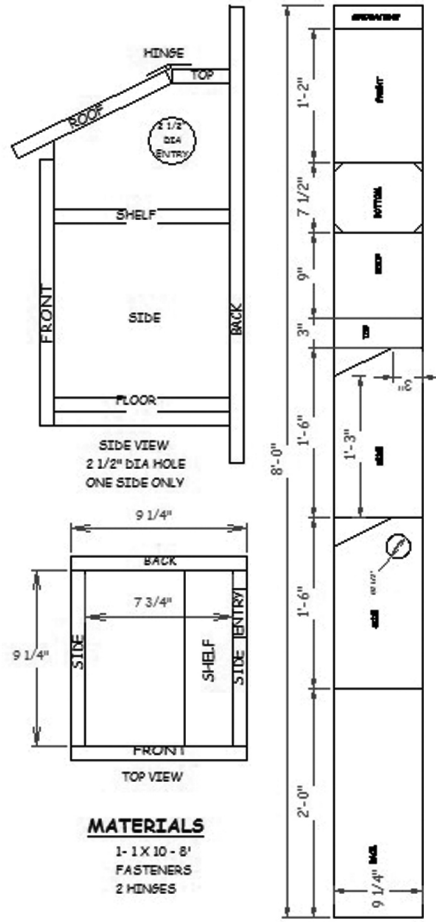
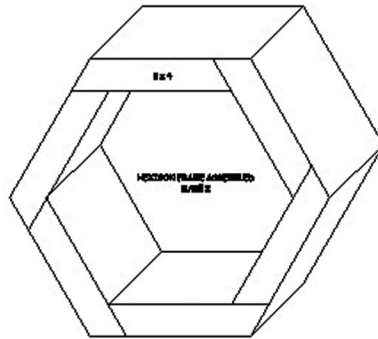
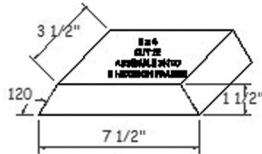


SQUIRREL BOX



RACCOON TUNNEL



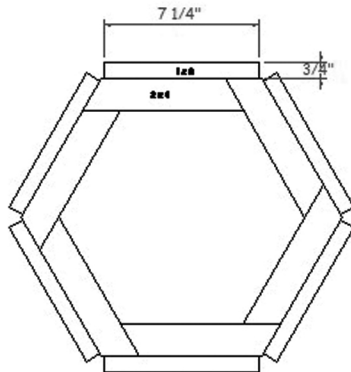
FRAME DETAIL

MATERIALS

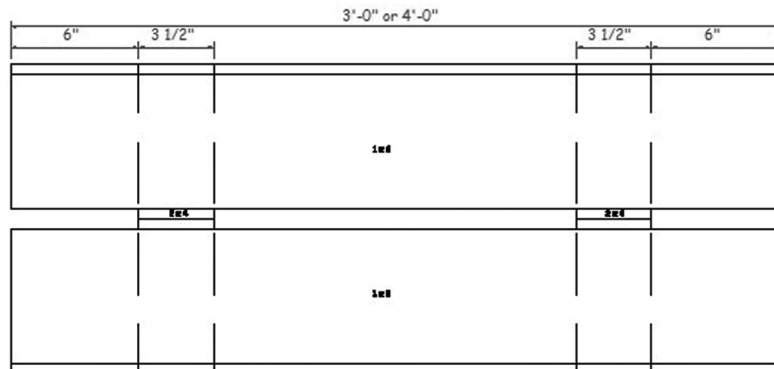
- 1- 2 X 4 - 8' PINE
- 1- 1 X 8 - 18' PINE FOR 3' TUNNEL
OR
- 2- 1 X 8 - 12' PINE FOR 4' TUNNEL
- FASTENERS

CUT AND ASSEMBLE 2 X 4 HEXAGON.
ADD 1 X 4 - 3' OR 4' BOARDS
WITH FRAMES 6" FROM ENDS.

KNOT HOLES AND CUT OUT AREAS
MAKE NICE PEAK HOLES AND ESCAPES.



FRONT ELEVATION



SIDE ELEVATION